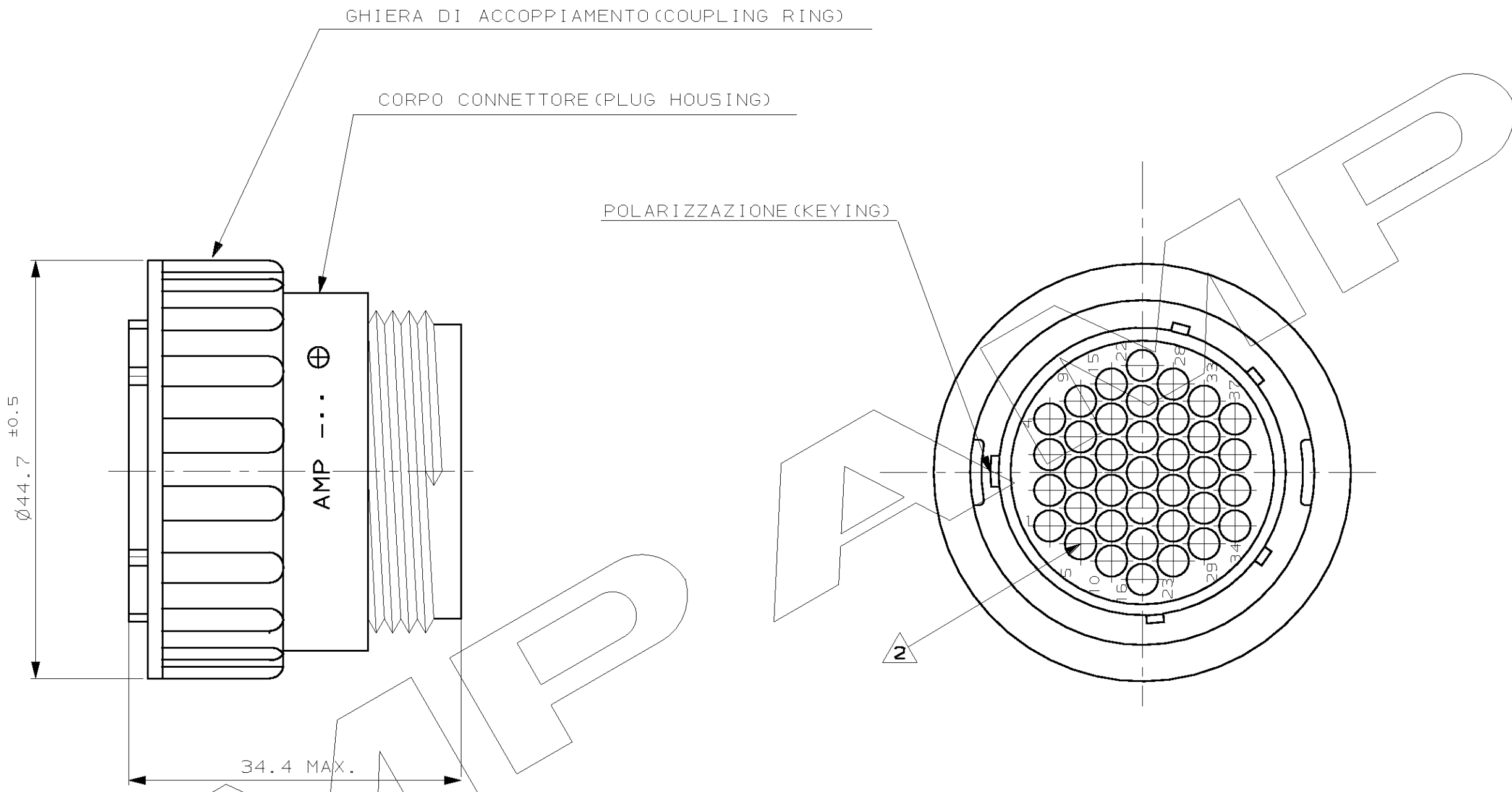


A  
B  
C  
D  
E  
F



NOTE (NOTES)

- MATERIALE (MATL.): TERMOPLASTICO COLORE NERO (THERMOPLASTIC, BLACK COLOR).
- OGNI CAVITA' E' IDENTIFICATA DAL NUMERO POSTO SIA SUL FRONTE CHE SUL RETRO DEL CONNETTORE. (CONTACT CAVITIES IDENTIFIED BY CHARACTERS) (ON FRONT AND REAR FACES OF CONNECTOR.)
- QUESTO CONNETTORE E' APPROVATO CON FILE N.E28476 E CERTIFICATO CON FILE N.LR7189A-259 (THIS CONNECTOR IS RECOGNIZED BY FILE N.E28476 AND CERTIFIED BY FILE N.LR7189A-259)

IL DISEGNO INDICA IL P.N. 182926-1  
 (P.N. 182926-1 AS SHOWN)

		<b>CUSTOMER DRAWING FOR REFERENCE ONLY</b>		<b>DISEGNO PER CLIENTE SOLO PER RIFERIMENTO</b>	
		THIS DRAWING IS UNPUBLISHED		RELEASE FOR PUBLICATION 19	
		© COPYRIGHT 19 BY AMP INCORPORATED, HARRISBURG, PA. ALL INTERNATIONAL RIGHT RESERVED. AMP PRODUCTS MAY BE COVERED BY U.S. AND FOREIGN PATENT AND/OR PATENT PENDING			
		TOLLERANZE: SE NON DIVERSAMENTE SPECIFICATO (TOLERANCES: UNLESS OTHERWISE SPECIFIED)		DIAM. ISOLANTE (INS. DIA. RANGE)	
		± 0.3		RANGO FILO (WIRE RANGE)	
		ANGOLI (ANGLES)		SCALA (SCALE)	
		± 2°		-	
B2 UPDATED PRODUCT DESCRIPTION FOR ET00-0182-02		D.C.	29NOV 2002	DESCRIZIONE (DESCRIPTION)	
B1 REVISED ET00-0123-99		G.S.	01-06 99	C.P.C. PLUG ASS'Y FOR PIN CONTACTS, SIZE 23-37, REV. SEX	
B REVISED PER ECN I-3230		C.C.	05-93	LOC. SIZE NUMERO (DWG NO)	
A RELEASED		G.C.	10-91	I A3 C - 182926	
REV. (REV. LTR.)		REVISIONI (REVISION RECORD)		REV. FOGLIO (SHEET)	
		D15. DATA (DATE)		B2 1 DI (OF) 1	
		APP. (APP.)			
		D15. DATA (DATE)			

DISTRIBUZIONE (PRINT DIST.)

1 2 3 4 5 6 7 8